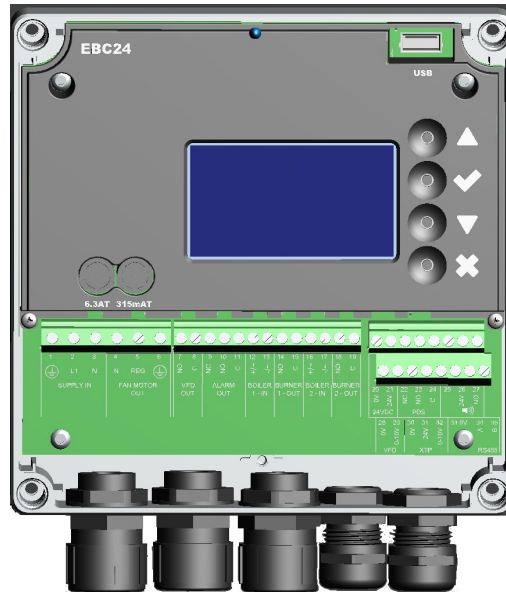


EBC24 modulating fan control



READ AND SAVE THESE INSTRUCTIONS!



Product information

Chapters 1 + 2



Mechanical installation

Chapter 3



Electrical installation

Chapter 4



Start up and configuration

Chapter 5



Maintenance and troubleshooting

Chapter 6

Job name: _____

Installer: _____

Installation date: _____

Manufacturer contact information:
 exodraft a/s • Tel: +45 7010 2234
 info@exodraft.dk • www.exodraft.com

Contents

| | |
|---|----|
| 1. Product information | |
| 1.1 Function | 3 |
| 1.2 Shipping | 3 |
| 1.3 Warranty | 3 |
| 2. Specifications | |
| 2.1 Dimensions and capacities | 4 |
| 3. Mechanical installation | |
| 3.1 Location | 5 |
| 3.2 Mounting of control | 5 |
| 3.3 Mounting of transducer | 6 |
| 3.4 Mounting of stack probe | 6 |
| 3.5 Connecting transducer to stack probe | 6 |
| 4. Electrical installation | |
| 4.1 General | 7 |
| 4.2 Continuous chimney fan operation | 8 |
| 4.3 Intermittent chimney fan operation (120 V) | 9 |
| 4.4 Connection to a variable frequency drive | 11 |
| 4.5 Integrated Proven Draft Switch with external Proven Draft Switch backup | 12 |
| 5. Startup and configuration | |
| 5.1 General | 13 |
| 5.5 Basic control set-up | 13 |
| 5.6 Detailed control programming | 14 |
| 6. Settings and troubleshooting | |
| 6.1 Troubleshooting | 14 |
| 6.2 Settings | 14 |
| Notes | 16 |

Symbol legend

The following terms are used throughout this manual to bring attention to the presence of potential hazards or to important information concerning the product.



DANGER

Indicates an imminent hazardous situation which, if not avoided, will result in death, serious injury or substantial property damage.



CAUTION

Indicates an imminent hazardous situation which, if not avoided, may result in personal injury or property damage.



TO REDUCE THE RISK OF FIRE, ELECTRICAL SHOCK OR INJURY TO PERSONS, OBSERVE THE FOLLOWING:

1. Use this unit in the manner intended by the manufacturer. If you have questions, contact the manufacturer at the address or telephone number listed on the front of the manual.
2. Before servicing or cleaning the unit, switch off at service panel and lock service panel to prevent power from being switched on accidentally.
3. Installation work and electrical wiring must be done by a qualified person(s) in accordance with applicable codes and standards.
4. Follow the appliance manufacturer's guidelines and safety

standards and the national authorities safety standards in the country in which the installation is taking place.

5. This unit must be grounded.

How to use this manual

This installation manual does not contain any system design documentation. System design documentation is available from **exodraft**.

Accessories and variable frequency drives are not covered by this manual. Please refer to these component's individual manuals.

1. Product information

1.1 Function

| | |
|------------------------|--|
| Use | <p>The exodraft EBC24 is a Modulating Fan Control used with up to two appliances to monitor and maintain a constant draft or pressure in a chimney or duct. This is achieved by modulating the speed of a chimney fan or ventilator. The EBC24 can be used with models RSV, BESF and BESB. It can control the fan speed directly or via a Variable Frequency Drive (VFD).</p> <p>The EBC24 is typically used to control the draft in systems requiring a single boiler or water heater.</p> |
| Function | <p>The control monitors the draft in a chimney system via connection to a pressure sensor (XTP) attached to the chimney, and maintains it by modulating the fan speed. The control has an integrated safety system that assures the heating appliance is shut down in case of fan failure or control failure.</p> <p>The use of the EBC24 is not restricted to any type of fuel or type of heating appliance. When the appliance thermostat closes and calls for heat, the control will send maximum voltage to the chimney fan or VFD. When the necessary draft is achieved, the control will allow boiler firing and regulate the voltage to the fan or VFD, so the required draft is maintained (the value can be viewed in the display). In case of insufficient draft, the control will assure the burner will be shut down after 15 seconds (can be adjusted). When the appliance has satisfied the thermostat and shuts down, the control will turn off the fan.</p> <p>The control can be used in one of two ways:</p> <ul style="list-style-type: none"> • Interlocked with the appliance to pre-purge the chimney prior to boiler start-up and post-purge the chimney for a variable time after boiler shut down. • Set to run the fan continuously. |
| Other functions | <p>The control has an integrated safety function. It can be operated with either a manual reset function (reset button) or an automatic reset function. All terminal connections are monitored by LED's for easy service and troubleshooting.</p> |
| Listings | <p>EBC24 is UL listed and conforms to the Standard for Industrial Control Equipment, UL60947-4-1 and CSA C22.2 No. 14-10.</p> |

1.2 Shipping

The EBC24 standard packing list

- EBC24 control unit
- Pressure transducer (XTP)
- Silicone tubing
- Stack probe

If other components are shipped, these will appear as separate items on the shipment packing list.

1.3 Warranty

Complete warranty conditions are available from exodraft.

2. Specifications

2.1 Dimensions and capacities

| exodraft EBC24 Control | | |
|-------------------------|---------|------------------------------------|
| Power supply | V | 1x120 VAC / 60 Hz |
| Fuse size Control/Motor | A | 0.4T/6.3T /250V(JDYX2/8) |
| Max. Motor load | kW/hp | 0.35/0.5 |
| Operating temperature | °F/°C | -4 to 122/-20 to 50 |
| Range of operation | inWC/Pa | 0-0.6/0-150 |
| Tolerance | inWC/Pa | 0.01/3+/-10% |
| +24V Supply | mA | 100 Max. |
| Control signal VFD | VDC/mA | 0-10 / Max. 10 |
| Control and Alarm relay | Max | 120 VAC/4A AC1 - 24 VDC/2A DC1 |
| Boiler Inputs | | 10-48 VDC / 10-132 VAC |
| VFD Relay | Max | 120 VAC/2A AC1 - 24VDC/2A DC1 |
| Output TRIAC | VAC | 10-120 |
| Dimensions | AxBxC | 6.9/175 x 6.9/175 x 4.33/110 in/mm |
| Weight | lbs/kg | 3.0/1.5 |
| EMC standard | | UL 60947 |
| IP-Rating | | NEMA 3R |
| Ashcroft XTP-sensor | | |
| Power supply | VDC | 14-36 |
| Amperage | mA | 6 |
| Output | VDC | 0-10 |
| Operating temperature | °F/°C | 0 to 160/-17 to 70 |
| Tolerance | inWC/Pa | 0.01/3+/-10% |
| Weight | lbs/kg | .9/.4 |
| Chimney Probe | | |
| Dimensions | H in/mm | 4.25/108 |
| | I in/mm | 3.50/89 |

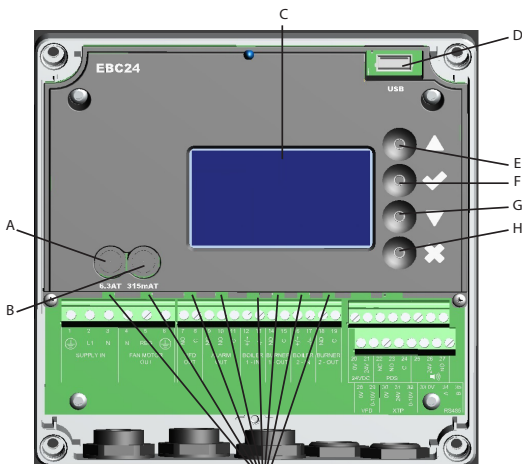
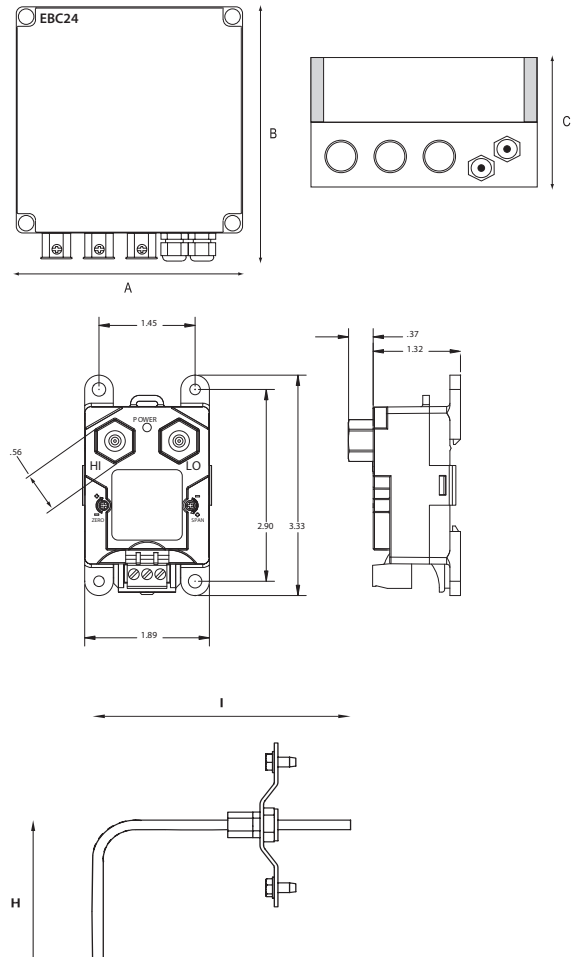


Fig. 1

Symbols

- Fig. 1-A Fuse holder Exhaust Fan
- Fig. 1-B Fuse holder Control
- Fig. 1-C Display 128 x 64 pixels
- Fig. 1-D USB port
- Fig. 1-E Up button
- Fig. 1-F Select / Confirm button
- Fig. 1-G Down button
- Fig. 1-H Reset / Back button
- Fig. 1-I LEDs (green) showing ON/OFF status

3. Mechanical installation

3.1 Location

The control and the transducer must be installed inside, preferably in the boiler room. The control does not need to be installed in an enclosure. Fig. 2 shows how the components are connected.

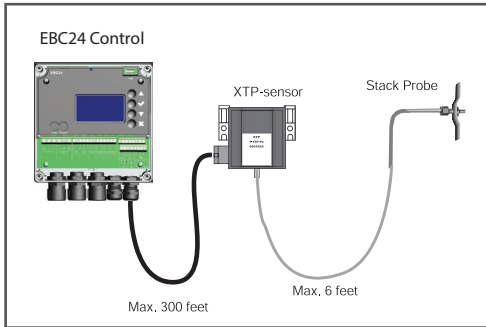


Fig. 2

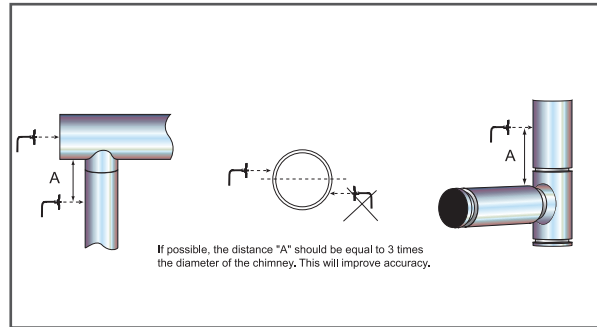


Fig. 2a



The transducer cannot be mounted inside an airtight enclosure. It uses the boiler room pressure/atmospheric pressure as reference pressure.

3.2 Mounting of control

The control can be mounted directly on a wall or similar.

- Remove the clear cover.
- The mounting holes are located under the plastic screws that hold the cover in place (Fig. 3).
- The distance between the control and the transducer should not exceed three hundred (300) feet.

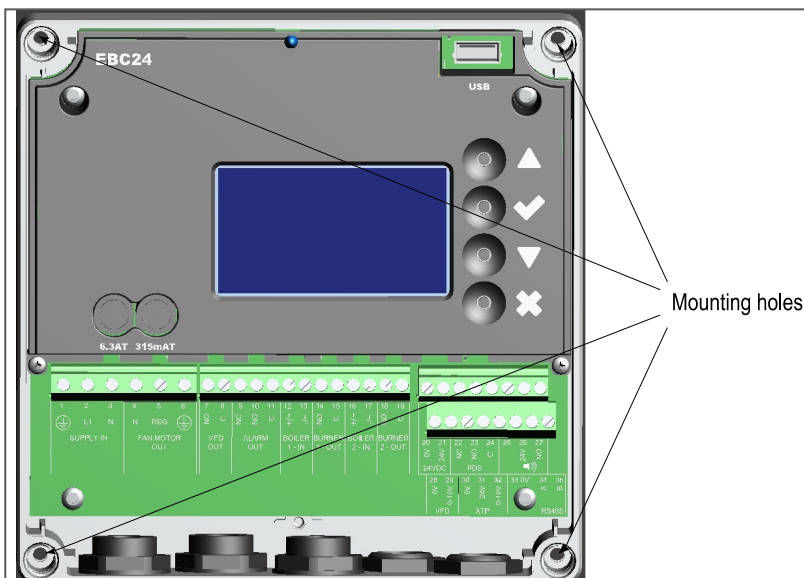


Fig. 3

3.3 Mounting of transducer

Attention must be paid to the position and location of the transducer. Fig. 5 shows the required position. Failure to follow this instruction may result in an inoperable system.

- An Ashcroft XTP-sensor used for sensing draft should be mounted within six (6) feet of the stack probe.
- An Ashcroft XTP-sensor used for sensing room pressure should be mounted within fifty (50) feet of the Outdoor Pressure Probe.

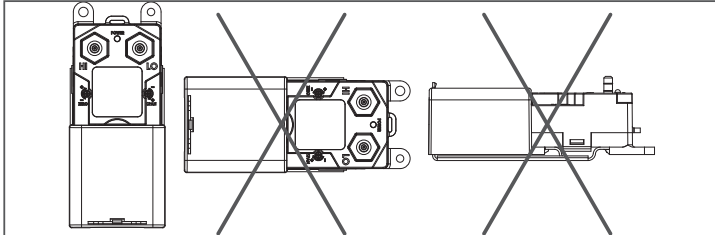


Fig. 4

3.4 Mounting of stack probe

The probe (Fig. 2a on page 5) is inserted into the chimney or vent at the point where the draft should be kept constant. This could be at the appliance outlet, in the vent or similar.

Referring to Fig. 2, make sure the tip of the tube is flush with the inner wall of the stack. Inserting it too far may affect the reading and thereby the operation.

3.5 Connecting transducer to stack probe

The transducer is connected to the stack probe via a silicone tube. Make sure that the tube is connected to the proper transducer port as shown in Fig. 5.

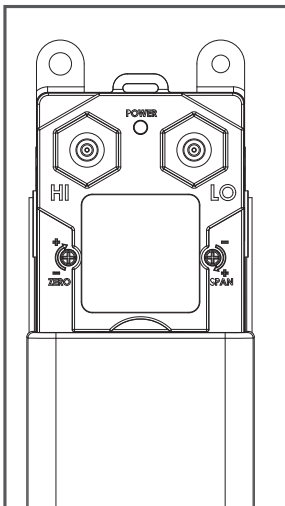


Fig. 5

4. Electrical installation

4.1 General



DANGER

Turn off electrical power before servicing. Contact with live electric components can cause shock or death.



NOTE

EBC24 is designed for 1x120 VAC power supply only. Fan output is regulating on the phase side and cannot be connected to other circuits.

The control can be used in two ways:

- Connected so the fan runs continuously independent of appliance operation (see paragraph 4.2).
- Interlocked with an appliance so the appliance operation indirectly controls the fan operation (see paragraph 4.3).

In both cases the control will still monitor and maintain a constant draft.

There are two types of safety systems available:

- Integrated Proven Draft Switch (standard)
- Integrated Proven Draft Switch with external Proven Draft Switch (accessory) backup (see paragraph 4.4).

The terminals are connected as shown on fig. 6:

| Terminal | Use | Terminal | Use |
|----------|---|----------|--|
| 1 | Power Supply-PE Ground | 18 | Burner 2 relay contact-Normally Open (max. 120 VAC, 4 Amps.) |
| 2 | Power Supply-L1 | 19 | Burner 2 relay contact-Common (max. 120 VAC, 4 Amps.) |
| 3 | Power Supply-N | 20 | Control signal VFD 0 VDC |
| 4 | Chimney Fan-N | 21 | Control signal VFD 0-10 VDC |
| 5 | Chimney Fan-L1 (Regulating) | 22 | XTP-0 VDC Power Supply (transducer) |
| 6 | Chimney Fan-PE Ground | 23 | XTP-24 VDC Power Supply (transducer) |
| 7 | VFD Relay NO | 24 | XTP-0-10 VDC Return Signal (transducer) |
| 8 | VFD Relay C | 25 | RS485 0V |
| 9 | Alarm Out-NC | 26 | RS485 A |
| 10 | Alarm Out-NO | 27 | RS485 B |
| 11 | Alarm Out-C | 28 | 0VDC Power Supply |
| 12 | Voltage Input from Appliance / Boiler 1 thermostat Optocoupler (+) (10-120 VAC/DC) | 29 | 24 VDC Power Supply (Max 100 mA) |
| 13 | Voltage Input from Appliance/Boiler 1 thermostat Optocoupler (-) (10-120 VAC/DC) | 30 | PDS-NC (Normally Closed) Proven Draft Switch |
| 14 | Burner 1 relay contact-Normally Open (max. 120 VAC, 4 Amps.) | 31 | PDS-NO (Normally Open) Proven Draft Switch |
| 15 | Burner 1 relay contact-Common (max. 120 VAC, 4 Amps.) | 32 | PDS-C (Common) Proven Draft Switch |
| 16 | Voltage Input from Appliance / Boiler 2 thermostat Optocoupler (+) (10-120 VAC/DC) | 33 | Buzzer-24 VDC Supply |
| 17 | Voltage Input from Appliance / Boiler2 thermostat Optocoupler (-) (10-120 VAC/DC) | 34 | Not used |
| | | 35 | Buzzer Signal |

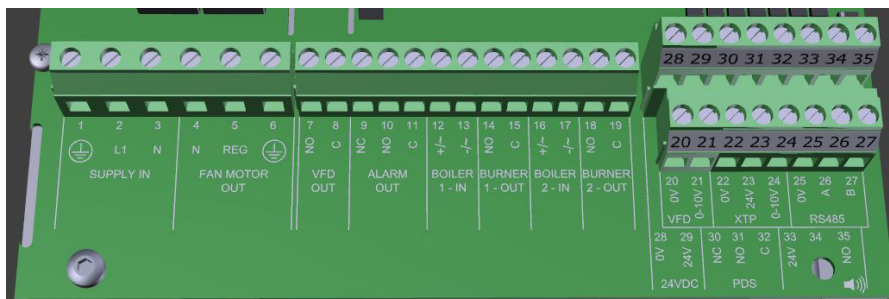


Fig. 6

4.2 Continuous chimney fan operation

8

Fig. 7 shows how to connect a chimney fan to the EBC24 if continuous operation is needed:

- Connect the power supply to terminals 1, 2 and 3.
- Jump terminals 13 and 28.
- Jump terminals 12 and 29
- Jump terminals 30 and 32
- Connection to the appliance(s):
 - ▶ Connect the start signal from the burner to terminals 14 and 15.
- To connect the chimney fan:
 - ▶ If using a 1x120V chimney fan, connect it to terminals 4, 5 and 6. Refer to the fan's Installation Manual.
 - ▶ If using a 3-phase fan and VFD, connect the VFD to terminals 20 and 21 as shown in Fig. 10 and 11. **DO NOT** connect the fan directly to the EBC24 control.
- Connect the XTP transducer to terminals 22, 23 and 24.

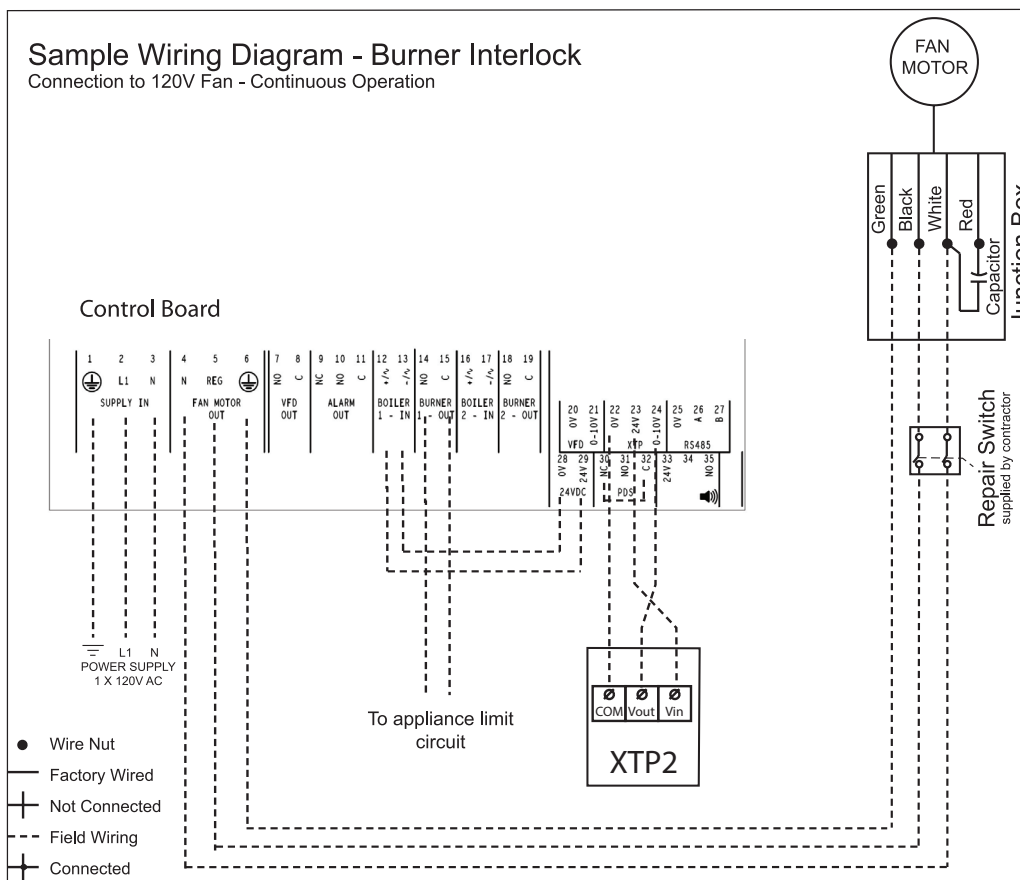


Fig. 7

4.3 Intermittent chimney fan operation (120 V)

The control can be interlocked with an appliance in two ways:
It can be interlocked directly with an appliance control, or with a dry set of contacts.

Interlock with Burner

Figure 8 shows how an appliance control signal (10-120V AC/DC) is connected to the EBC24:

- Connect the power supply to terminals 1, 2 and 3.
- Connection to the appliance:
 - ▶ Connect the boiler start signal to terminals 12 and 13
 - ▶ The start signal to the burner is now activated by terminal 14.
 - ▶ Connect Neutral to terminal 15.
- To connect the chimney fan:
 - ▶ If using a 1x120V chimney fan, connect it to terminals 4, 5 and 6. Refer to the fan's Installation manual.
 - ▶ If using a 3-phase fan and VFD, connect the VFD to terminals 20 and 21 as shown in Fig. 10 and 11. **DO NOT** connect the fan directly to the EBC24 control.
- The XTP-transducer is connected to terminals 22, 23 and 24.

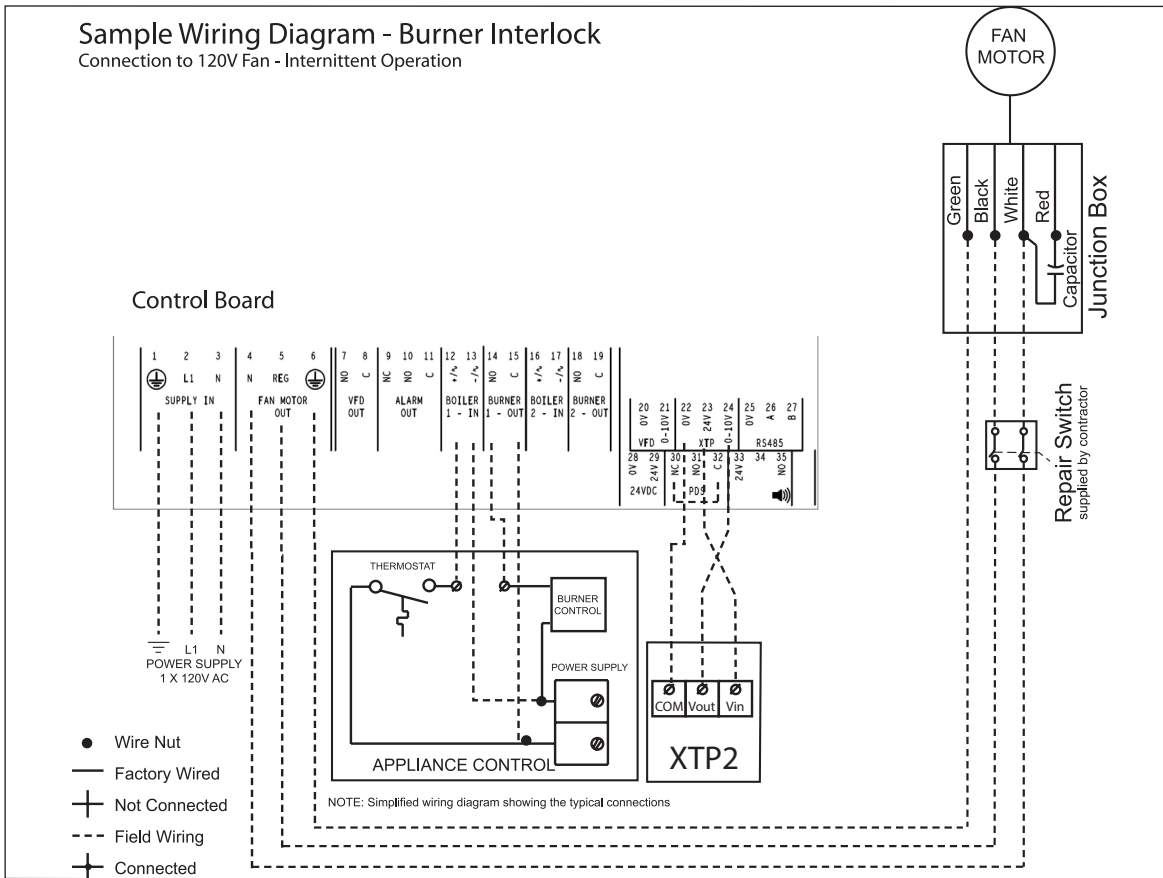


Fig. 8

Interlock with dry set of contacts

Figure 9 shows how a dry set of contacts is connected to the EBC24:

- Connect the power supply to terminals 1, 2 and 3.
- Connection to the appliance:
 - ▶ Connect the dry set of contacts to terminals 12 and 13.
 - ▶ Connect the start signal to the burner to terminals 14 and 15.
- To connect the chimney fan:
 - ▶ If using a 1x120V chimney fan, connect it to terminals 4, 5 and 6. Refer to the fan's Installation Manual.
 - ▶ If using a 3-phase fan and VFD, connect the VFD to terminals 20 and 21 as shown in Fig. 10 and 11. **DO NOT** connect the fan directly to the EBC24 control.

Connect the XTP transducer to terminals 22, 23 and 24

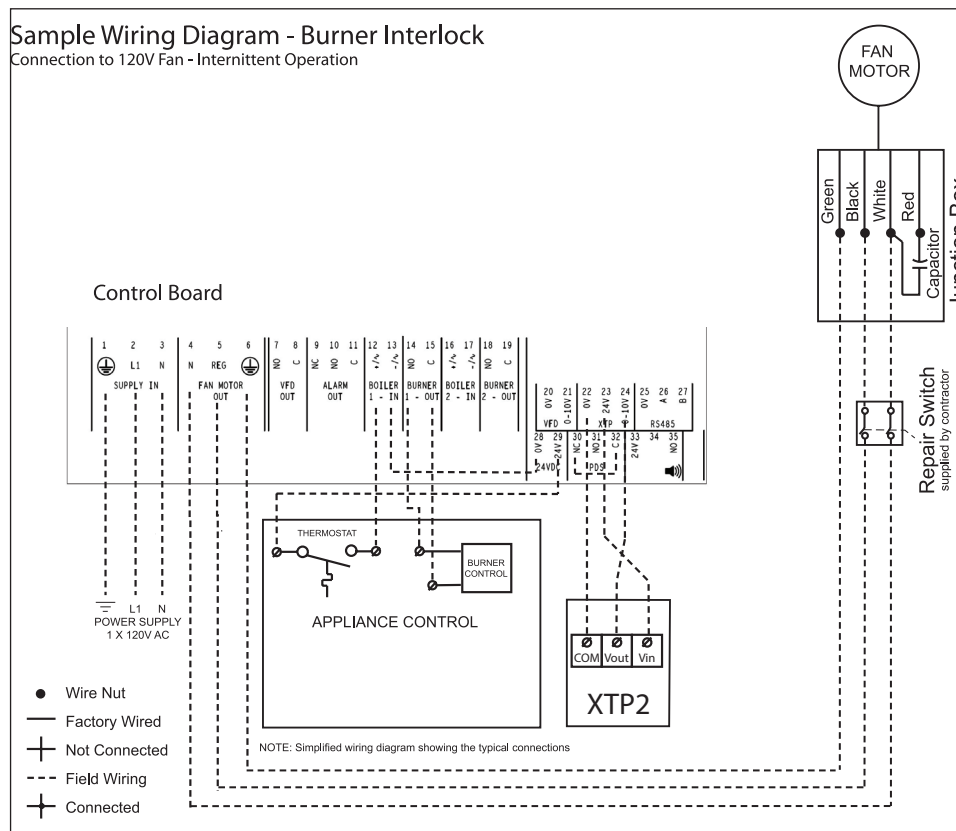


Fig. 9

4.4 Connection to a variable frequency drive

To connect the 3-phase fan and variable frequency drive (VFD), connect the VFD to terminals 20 and 21 of the EBC24. **DO NOT** connect the fan directly to the control.

Wire the ABB ACS355 series variable frequency drive according to fig. 10.

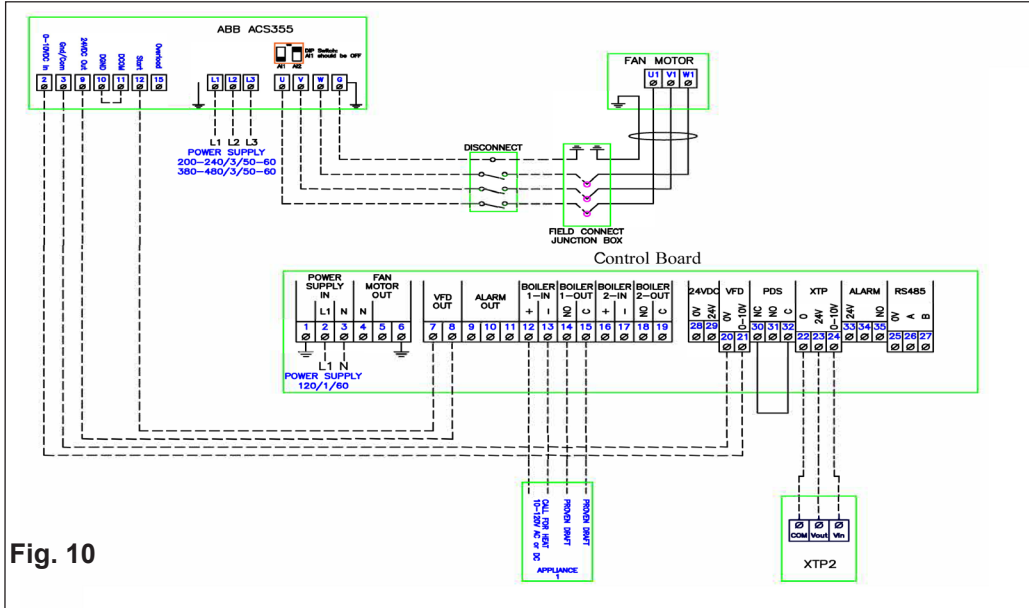


Fig. 10

Wire the EnerveX E-Drive variable frequency drive according to fig. 11.

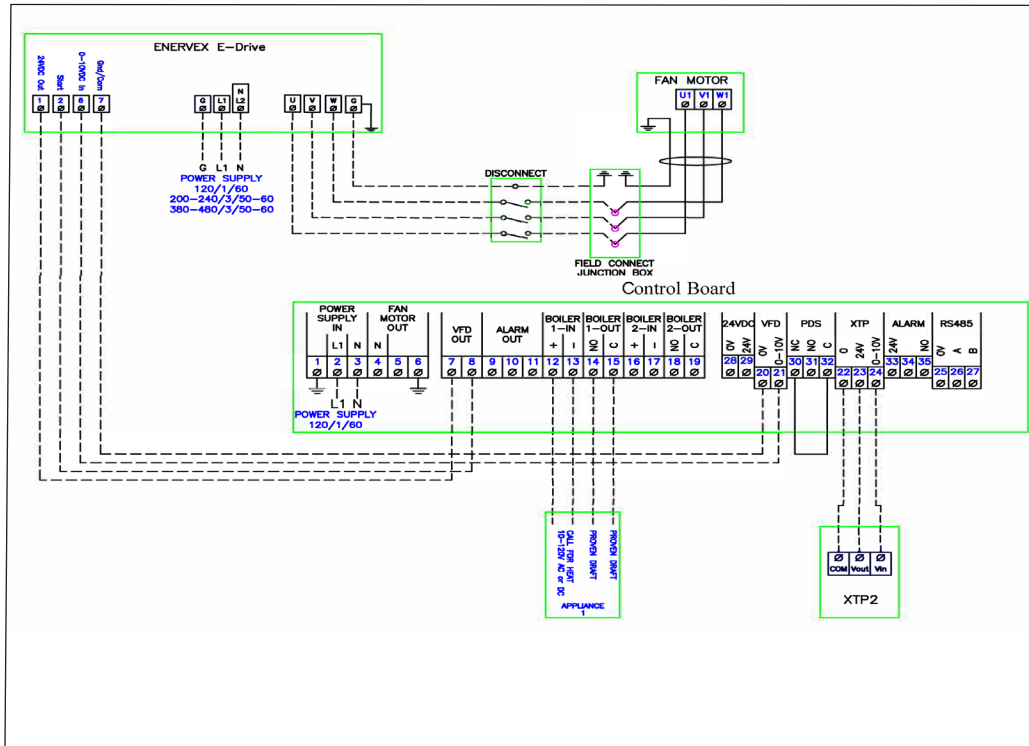


Fig. 11

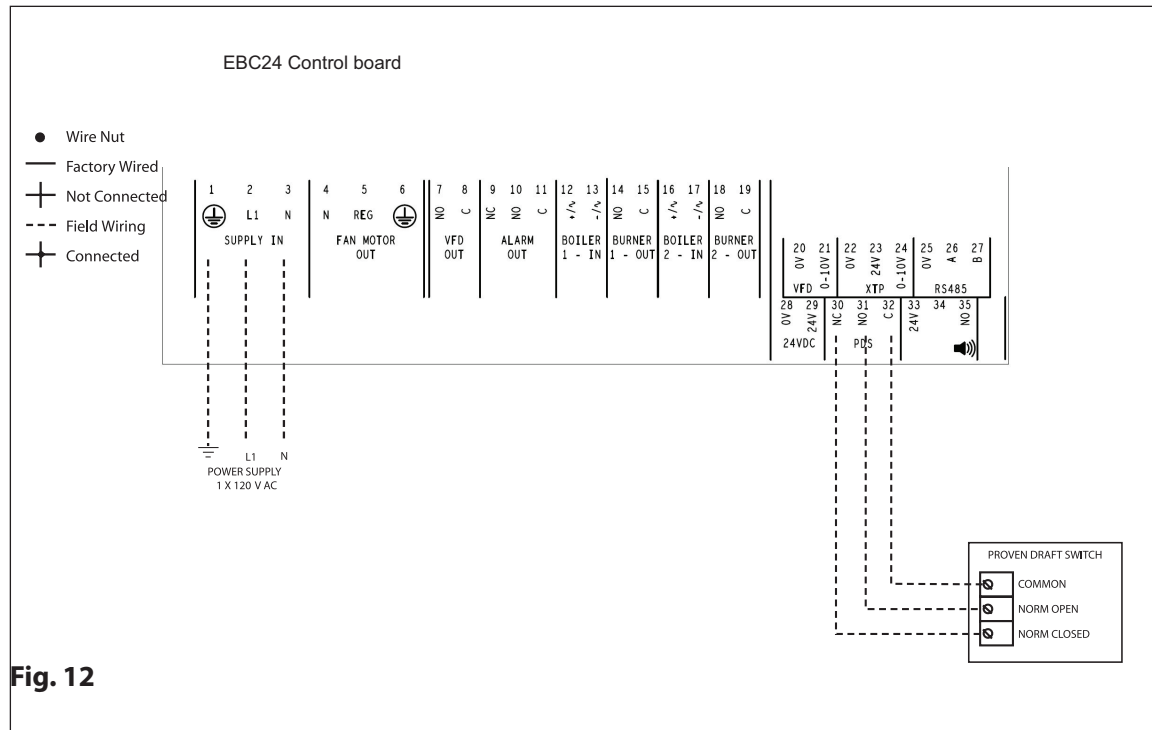
4.5 Integrated Proven Draft Switch with external Proven Draft Switch backup

12

Fig. 12 shows how to connect a external Proven Draft Switch (PDS) to the EBC24.

The external PDS is a backup to the integrated PDS and both must be satisfied by sufficient draft to release the appliance:

- Remove the factory installed jumper over terminals 30 and 32.
- Connect the switch to terminals 30, 31 and 32 as shown on fig. 12.



5. Startup and configuration

5.1 General

When power is supplied to the control it will go through a start-up procedure to detect and check all components and appliances installed.

5.5 Basic control set-up

Once power is turned ON the control can be programmed. Most parameters are programmed at the factory and do not need to be changed. The most common parameters are shown below.

To enter the setup menu, press the "✓" key for more than 5 seconds. The password 3142 must be entered using the up and down buttons, and after that press the "✓" key.

Menu 11: SET EXHAUST

For setting the draft or exhaust pressure. Although the value, when measured in the field, is negative pressure it shows up as a positive value on the display. The lowest possible value is 0.012 inWC. Most applications require a setting in the range of 0.012 inWC to 0.100 inWC. Atmospheric appliances (Category I) are always in the low range, while all other appliances can be anywhere.

The %-value indicates the relative setting of the total range of the sensor. (The [inWC] units can be changed to [Pa] in the menu 512.)

Menu 12: EXHAUST OPERATING MODE

The control can operate the fan(s) in either 'continuous' or 'intermittent' mode. The mode can be changed via the display in menu 12.

Note! Continuous mode only works if Priority mode is "off" (menu 451)

In 'continuous' mode the fan operates continuously. During times when the heating appliance(s) is not operating, the fan will still operate although at its lowest capacity. Some exhaust will be pulled through the appliance. The chimney is always primed and there is no real need for pre- and post-purge functions. The energy consumption in this mode is minimal.

In 'intermittent' mode the fan only operates if at least one appliance is operating. When no appliance(s) is operating the fan shuts down. In this mode, pre- and post-purge functions are very important and must be set. This mode offers the lowest energy consumption.

If a heating system operates constantly, or the time between cycles is very short (less than 5-10 minutes), 'continuous' mode should be considered. Otherwise, 'intermittent' mode should be selected.

There is no need to set this value, if the control is used to control the supply of combustion air.

If used with a damper actuator, set for 'continuous' operation.

Menu 13: SET EXHAUST PRE-PURGE

When operating in 'intermittent' mode it is important to set the pre-purge. Pre-purge is the period from when there is a call for heat until the control allows the appliance to start assuming the fan is operating at the proper capacity. The setting can be anywhere from 0 to 1800 seconds.

There is no need to set this value, if the control is used to control the supply of combustion air.

Menu 14: SET EXHAUST POST-PURGE

When operating in 'intermittent' mode it is important to set the post-purge. Post-purge is the period from when the appliance shuts down until the control allows the fan to shut down assuming there are no more products of combustion in the chimney system. The setting can be anywhere from 0 to 1800 seconds.

There is no need to set this value, if the control is used to control the supply of combustion air.

5.6 Detailed control programming

14

Menu 362: USB logging

The EBC24 can be set to log on a USB-memory stick if the menu 362 is set to "USB" If this is done, two files will be created: one with the alarm log and one with the values of the XTP sensors and 0-10V. The files are .CSV files.

The output format is:

[Unix time], [Exhaust XTP 0-1024], [Intake XTP 0-1024], [Exhaust VFD 0-1024], [Intake VFD 0-1024], [Damper Out 0-1024], [MODS XTP 0-1024]. The value between 0-1024 is a fraction of 10V, meaning that a value of 423 equals 4.13 V.

Menu 365: Firmware upgrade

The EBC24 can be firmware upgraded using a USB-memory stick. Insert the USB-memory stick with the firmware in the USB connector on the front of the control. Go to the 365 menu, and select the correct file to be programmed. Press the ✓ button to start the update. The update takes approx. two minutes.

Note! If the programming fails, power off the control. Press the x button and power up the control again. Doing this will reupload the latest working firmware.

6. Settings and troubleshooting

6.1 Troubleshooting

Most terminal connections are monitored for proper operation. LED lights indicate operating status. If a light is lit, it indicates everything is functioning properly while a light out indicates a problem on the circuit it monitors. In addition, fault codes are shown on the display.

The fault codes are:

| Display | Explanation |
|------------------------|---|
| A1 Exhaust Draft Alarm | Insufficient draft pressure. Can be caused by: <ol style="list-style-type: none"> 1. Chimney fan does not have enough capacity 2. Mechanical or electrical fan failure 3. Blocked chimney 4. Introduction of excessive dilution air 5. XTP sensor not responding correctly |
| A2 Power Fault | Indicates there has been a power fault |
| A3 Exhaust Error | Indicates a disconnected signal from the XTP-Sensor on the exhaust side to the control Can be caused by: <ol style="list-style-type: none"> 1. Loose connections 2. Faulty XTP-sensor 3. Faulty controller |
| A4 Start Alarm | Indicates that the control has not been able to release the heating appliance(s) within 15 minutes. |
| A5 Alarm Override | Indicates alarm has been ignored |
| A6 Draft Alarm | Missing signal from PDS-function. Indicates a faulty function. |
| A7 RS485 error | Communication error between EBC24 and a MODBUS unit |
| A8 Priority | The draft has been insufficient and therefore the control has gone into Priority mode |

6.2 Settings

| Menu | Sub-menu | function | Display | Description | Range | Default |
|------|----------|-------------------|-------------------|---|-----------------------------|--------------|
| 1 | | Exhaust | EXHAUST | | | |
| | 11 | Draft set point | SET EXHAUST | Adjustment of exhaust setpoint. | 2%-95% af sensor | 17% |
| | 12 | Operation mode | EXHAUST MODE | Continuous or intermittent operation. In intermittent mode the exhaust fan runs only if one or more boiler inputs are active. | Continuous/ Intermittent | Intermittent |
| | 13 | Pre-purge | PRE-PURGE | Pre-purge settings. | | |
| | 131 | Time | TIME | Pre-purge time in seconds | 0-1800 | 0 |
| | 132 | Operation mode | SPEED MODE | Select variable if the pre-purge should be controlled by the XTP-sensor or have a fixed speed. | Variable / FIX 20-100% | FIX 100% |
| | 14 | Post-purge | POST-PURGE | | | |
| | 141 | Time | TIME | Post-purge settings. | 0-1800 | 0 |

| Menu | Sub-menu | function | Display | Description | Range | Default |
|-----------|-----------|-----------------------|--------------------------------------|---|---|---|
| | 142 | Operation mode | SPEED MODE | Select variable if the post-purge should be controlled by the XTP-sensor or have a fixed speed. | Variable / FIX 20-100% | Variable |
| 15 | | Sensor | SENSOR | | | |
| | 151 | Min. pressure | RANGE MIN | XTP minimum pressure in Pa. | -500 – 500 Pa | 0 |
| | 152 | Max. pressure | RANGE MAX | XTP Maximum pressure in Pa. | 0 – 1000 Pa | 150 Pa |
| 16 | | Parameters | PROPERTIES | | | |
| | 161 | Alarm limit draft | ALARM LIMIT | Select the alarm limit of the draft. The value is in % of the set point. | If 167 = "Negative" ->50 - 80 %. If 167 = "Positive" -> 150 - 300 %" | 64 % (167 = "Negative") 144 % (167 = "Positive") |
| | 162 | Alarmdelay | ALARM DELAY | Select a alarm delay from 0-120 seconds. | 0 – 120 s | 15 |
| | 163 | Min. voltage | SPEED MIN | Minimum speed of the fan | 0 – MENU 164 | 15 % |
| | 164 | Max. voltage | SPEED MAX | Maksimum speed of the fan. | MENU 163-100% | 100 |
| | 165 | Xp | EXHAUST Xp | Proportional gain. | 0-30 | 15 |
| | 166 | Ti | EXHAUST Ti | Integral gain. | 0-30 | 8 |
| | 167 | Sampling rate | SAMPLING RATE | Set the sampling rate for the PID Loop | 1-10 | 10 |
| | 168 | Pressure type | PRESSURE MODE | Positive or negative pressure in the stack. | Positive or Negative | Negative |
| | 169 | Application | APPLICATION | Sets if the control has to work as Exhaust or Intake | Exhaust / Intake | Exhaust |
| 2 | | ALARM | | | | |
| | 21 | Alarm Status | ERROR | The error is shown here | | |
| | 22 | Alarm log | ERROR LOG | The last 10 alarms will be saved in the menu. | | |
| | 23 | Reset | RESET | Selecting "AUTO" will automatic reset the alarm after 15 seconds. If "MAN" is selected, the "X" has to be pressed. | MAN / AUTO | AUTO |
| 3 | | Service | SERVICE | | | |
| | 31 | Version no. | VERSION | Software version is showed. | | |
| | 32 | I/O | I/O-VIEW | | | |
| | 321 | BURNER I/O | AUX OUT XXX AUX IN XX | In this menu the status of the boiler I/O is shown. By pressing ✓ the AUX OUT relays can be activated by pressing up and down. Multiple activations of the ✓ button will move from relay 1 to 6 | | |
| | 322 | EXHAUST I/O | EXH XTP x.xV OFF EXH VFD x.xV OFF | XTP, VFD and VFD relay status for Exhaust. | | |
| | 323 | Draft input | DRAFT INPUT ON/ OFF | Draft Input I/O status. | | |
| | 324 | Alarm relay | ALARM OUTPUT ON/OFF | Alarm relay output status. | | |
| | 33 | Options | OPTION | | | |
| | 331 | Bearing cycle | BEARING CYCLE | Selecting "YES" will enable a bearing cycle on present fans, if the boilers has not been active for 24 hours. | ON/OFF | ON |
| | 332 | Allow prime | | Selecting a number from 0-250 will enable the prime function. This allows the boilers to be activated even though no sufficient draft is present. | 0-250 s / off | Off |
| | 333 | Draft Input Delay | DRAFT INPUT DELAY | The delay before the control goes into Fraft Alarm | 0-20 s | 0 s |
| 34 | | Factory reset | FACTORY | If "YES" is selected, a factory reset will be performed. | YES/NO | NO |
| | 36 | USB configuration | USB CONFIG | | | |
| | 361 | format USB | FORMAT USB | Selecting "YES" will format the USB flash drive. Notice! All data will erased! | YES / NO | NO |
| | 362 | Data Log | DATA LOG USB / INTERNAL | Selecting "USB" will store the alarm log on the USB flash drive, "INT" will store the log in the internal memory. | USB / INT | INT |
| | 363 | Save config. file | SAVE CONFIG FILE | Slecting "YES" provides the possibility to select configurationfiles stored on the USB flash drive. | YES / NO | NO |
| | 364 | Load config. file | LOAD CONFIG FILE | Selecting "YES" will download the current configuration to the USB flash drive. | YES / NO | NO |
| | 365 | Upgrade firmware | UPGRADE FIRM- WARE | This function provides the possibility to upgrade the firmware by means of a USB Stick | | |
| 4 | | User Interface | USER INTERFACE | | | |
| | 41 | Display | DISPLAY | | | |
| | 411 | Language | LANGUAGE | Language. | ENG / FRA / ESP | ENG |
| | 412 | Pressure units | UNITS | Pa or inWC units. | Pa / inWC | inWC |
| | 413 | LCD backlight | LCD BACKLIGHT | LCD backlight turned on or not. The USE parameter will cause the backligt to be turned on if a button is pressed. | ON / OFF / USE | ON |
| | 414 | LCD contrast | LCD CONTRAST | | 10 – 100 % | 50 |

